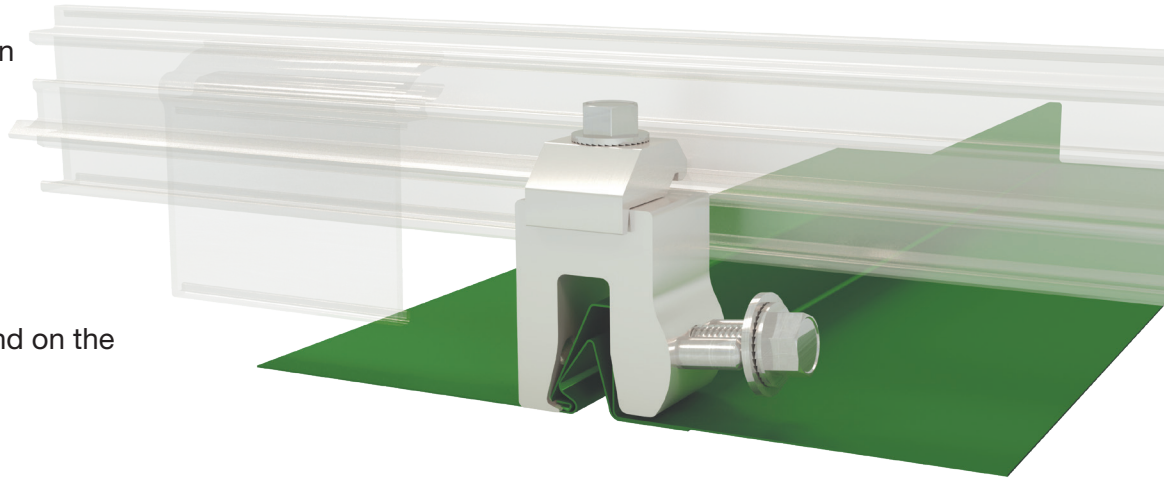


# Cut Sheet 5096 A2Nw

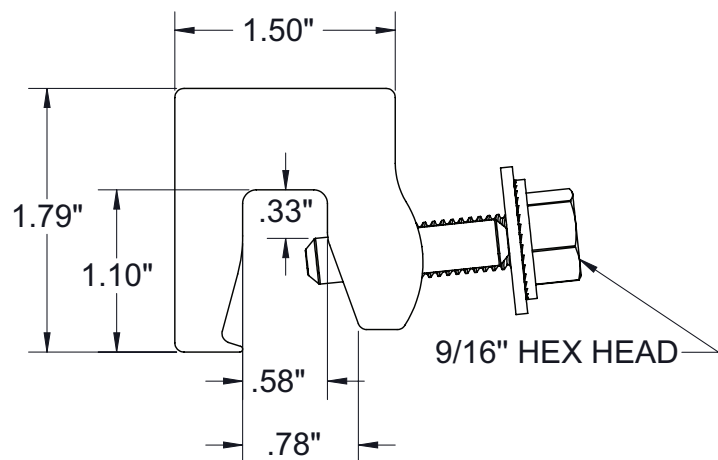
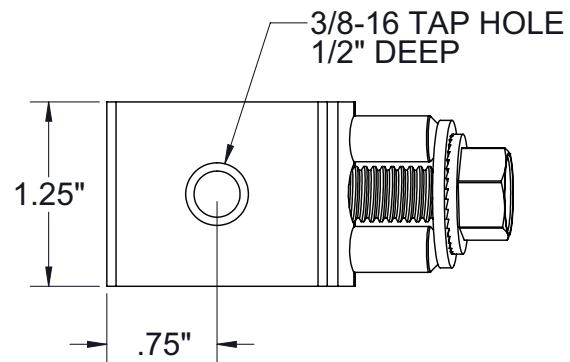


## A2®Nw Color Snap® Rail Assembly

- Pre-assembled clamp allows for easy torque installation
- Non-penetrating sliding pin design does not damage the panel
- High wind-load resistance
- Installs in half the time of competitive products\*
- Ice clip is the first of its kind on the market with a “snap-fit”



*Designed for Architects*  
*Manufactured for Contractors*  
*Labor Savings for Installers*



**ACE**  
**CLAMP**®  
Innovative Roofing Solutions™

a product of  
**PMC** Industries Inc

87 Spring Lane | Plainville, CT 06062  
860-351-0686



\*Based on typical contractor experiences. Photos shown are for representative purposes only. Actual product may vary. Design subject to change without notice. Additional panel profiles & torque specs: [aceclamp.com](http://aceclamp.com). Always use proper safety equipment when working on a roof. Not responsible for typographical errors.

V061119