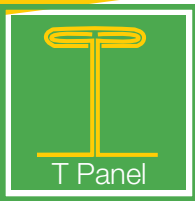
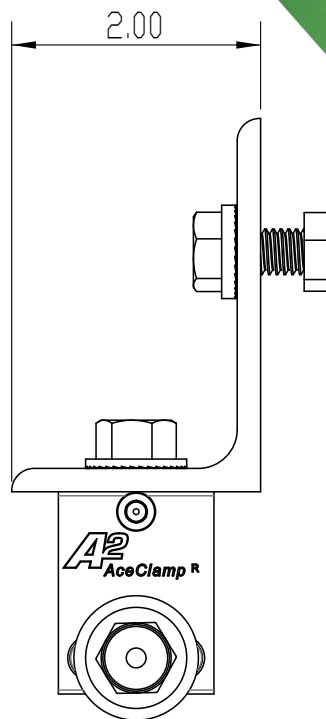
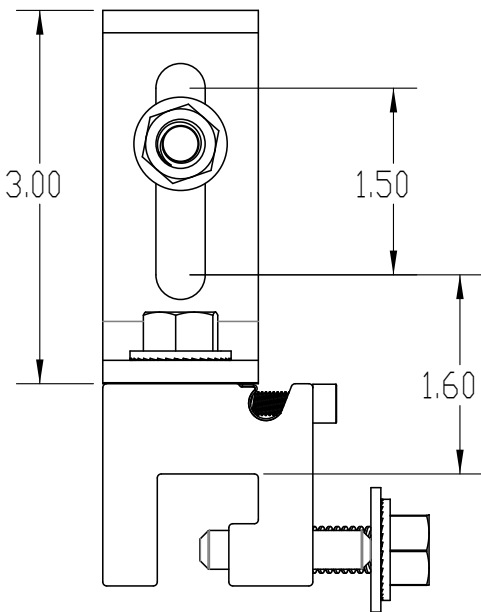
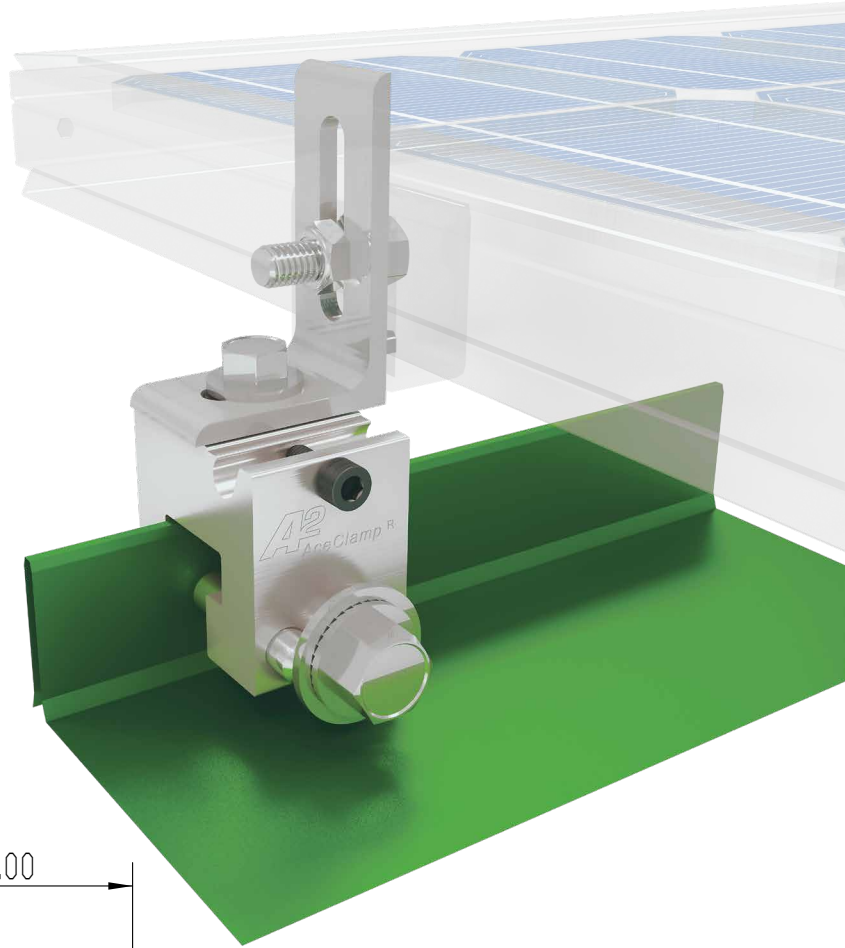


# Cut Sheet 5058-LF



## A2® Solar L-Foot Bracket

- Provides unobstructed access to mounting clamps
- Adjustable height and width adapts to a variety of panels & clamps.
- Serrated hex nut locks tight and prevents back out
- Common 9/16 bolt, as used on our AceClamp®
- Custom sizes available upon request
- Allowance for grounding wire provided



**ACE**  
CLAMP®

a product of  
**PMC** Industries Inc.

87 Spring Lane | Plainville, CT 06062

860-351-0686



The PROOF Is On The ROOF™

\*Photos shown are for representative purposes only. Actual product may vary. Design subject to change without notice. Additional panel profiles & torque specs: [www.aceclamp.com](http://www.aceclamp.com)

V110718