

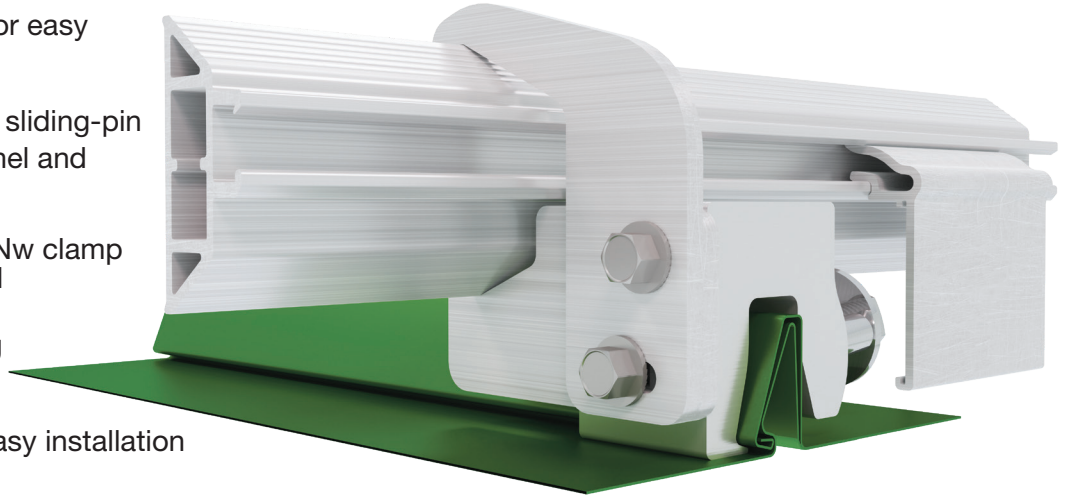
Cut Sheet | 5069-ST-A2Nw



A2[®]Nw Snow Titan[®] Snow Rail System

This system is designed to handle extreme snow loads

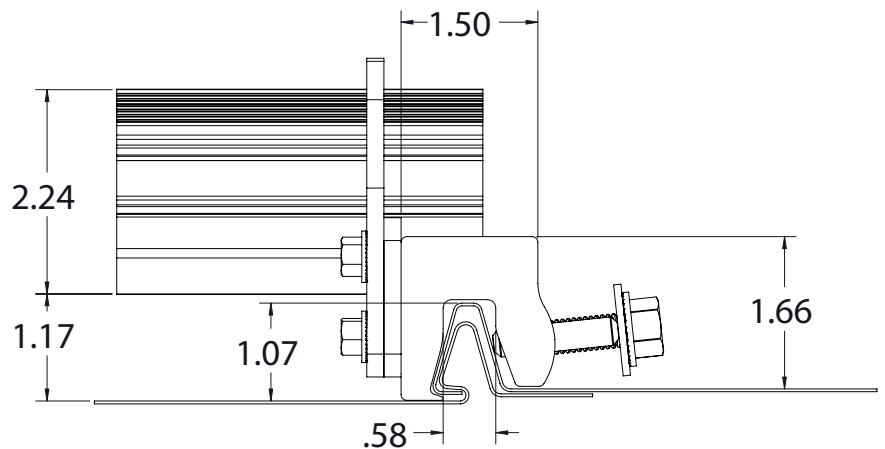
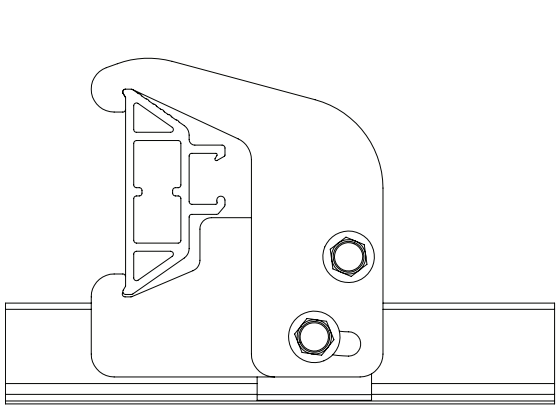
- Pre-assembled clamp allows for easy torque installation
- Our patented, non-penetrating sliding-pin design helps to protect the panel and warranty
- Includes a fully-assembled A2Nw clamp with our stronger, triangular rail
- One-of-a-kind strong clamping claw
- Ice Flags snap into place for easy installation



Designed for Architects

Manufactured for Contractors

Labor Savings for Installers



ACE
CLAMP[®]
Innovative Roofing Solutions™

a product of
PMC Industries Inc

87 Spring Lane | Plainville, CT 06062
860-351-0686



*Based on typical contractor experiences. Photos shown are for representative purposes only. Actual product may vary. Design subject to change without notice. Additional panel profiles & torque specs: aceclamp.com. Always use proper safety equipment when working on a roof. Not responsible for typographical errors.

V112219