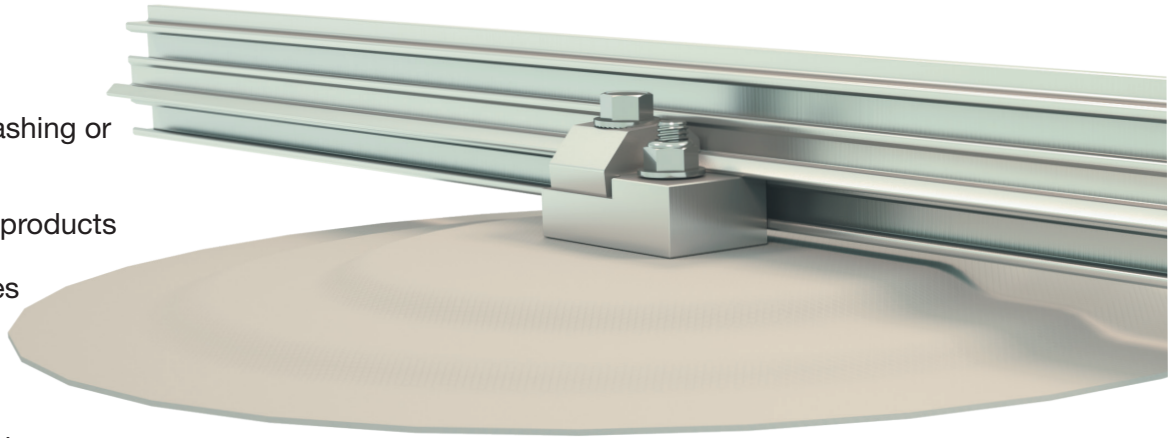


Cut Sheet | 5096-M

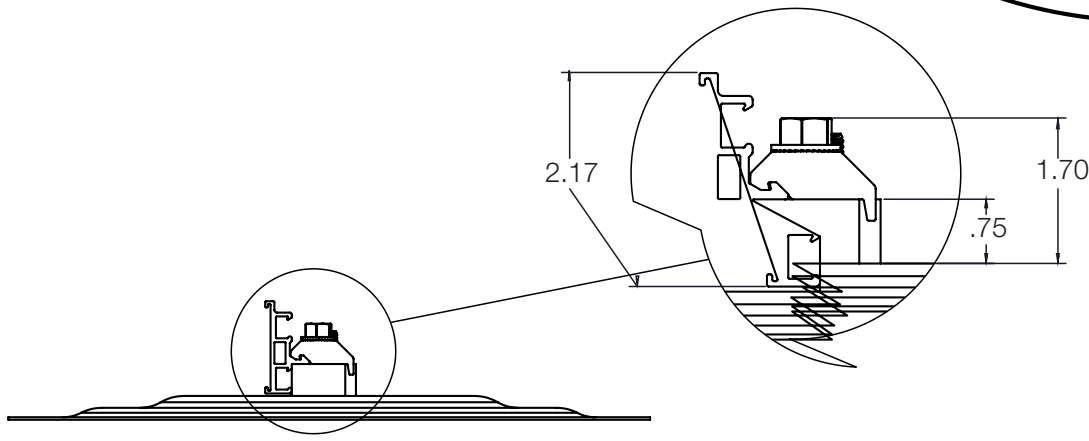
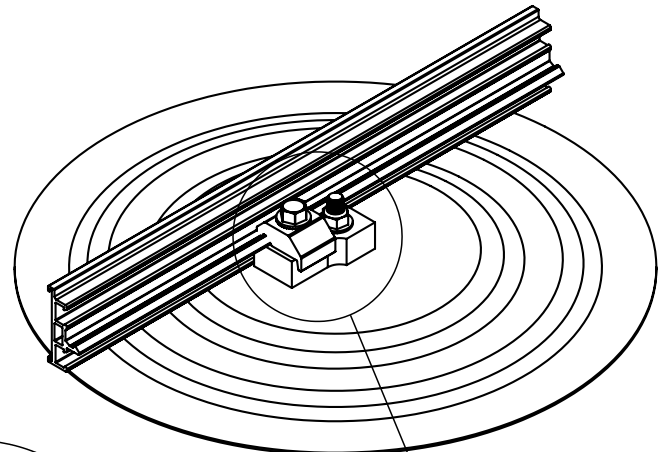


A2® Color Snap®-M

- No cuts, wood blocking, flashing or adhesives!
- Uses proven technology & products
- Color Snap® insert matches existing roof material
- Load tested by third party
- Engineering layouts available from AceClamp®



Designed for Architects
Manufactured for Contractors
Labor Savings for Installers



**ACE
CLAMP®**
Innovative Roofing Solutions™

a product of
PMC Industries Inc

87 Spring Lane | Plainville, CT 06062
860-351-0686



*Based on typical contractor experiences. Photos shown are for representative purposes only. Actual product may vary. Design subject to change without notice. Additional panel profiles & torque specs: aceclamp.com. Always use proper safety equipment when working on a roof. Not responsible for typographical errors.

V061119