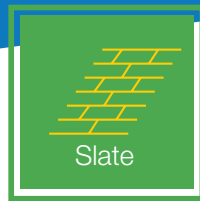
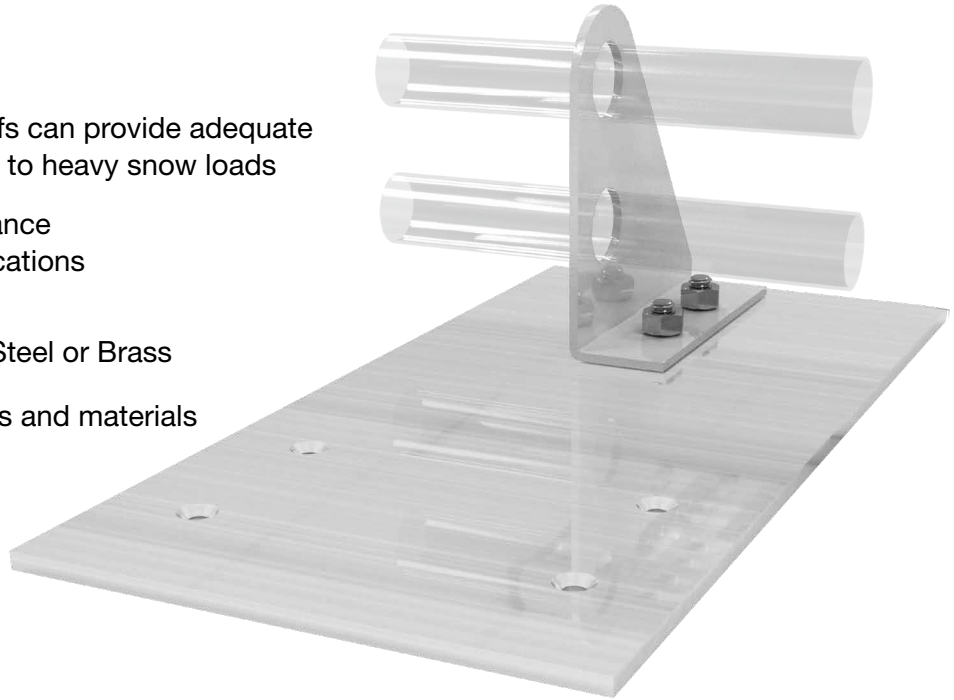


Cut Sheet | 2HK-AL



2-Bar Snow Bracket Kit

- Two Bar snow systems for Asphalt roofs can provide adequate protection in areas that have moderate to heavy snow loads
- Installation to be completed in accordance with the manufacturer's written specifications and installation instructions.
- Manufactured in Aluminum, Stainless Steel or Brass
- Contact AceClamp® for custom layouts and materials



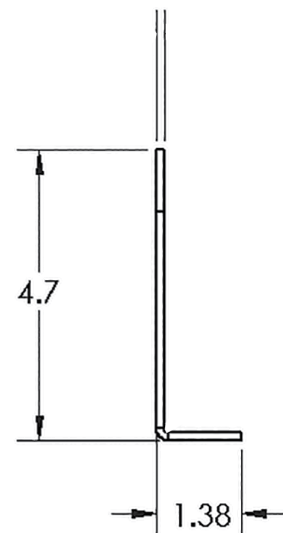
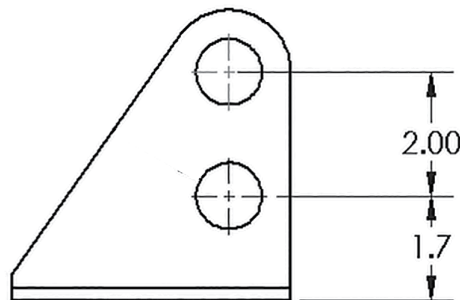
Additional Accessories:

031102-XX Tubing, 8' 10' 20' Lengths

834-14-XX End Collar

031102-4-XX End Cap

031102-6 Coupler



ACE
CLAMP®

a product of
PMC Industries Inc

87 Spring Lane | Plainville, CT 06062

860-351-0686



The PROOF Is On The ROOF™

*Photos shown are for representative purposes only. Actual product may vary. Design subject to change without notice. Additional panel profiles & torque specs: www.aceclamp.com

V110718