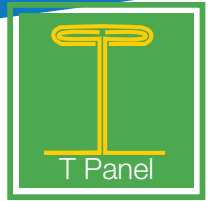
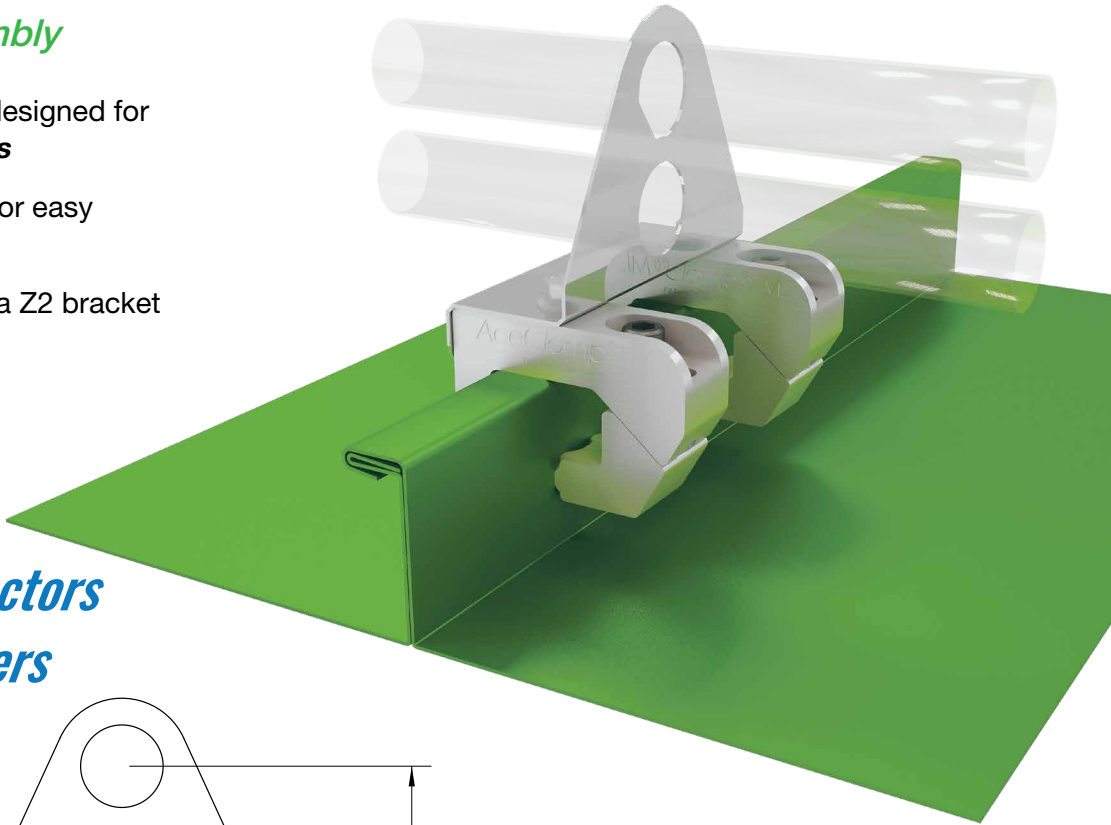


Cut Sheet | 5031 Z2-2



ML[®] 2-Bar, 2 Clamp Assembly

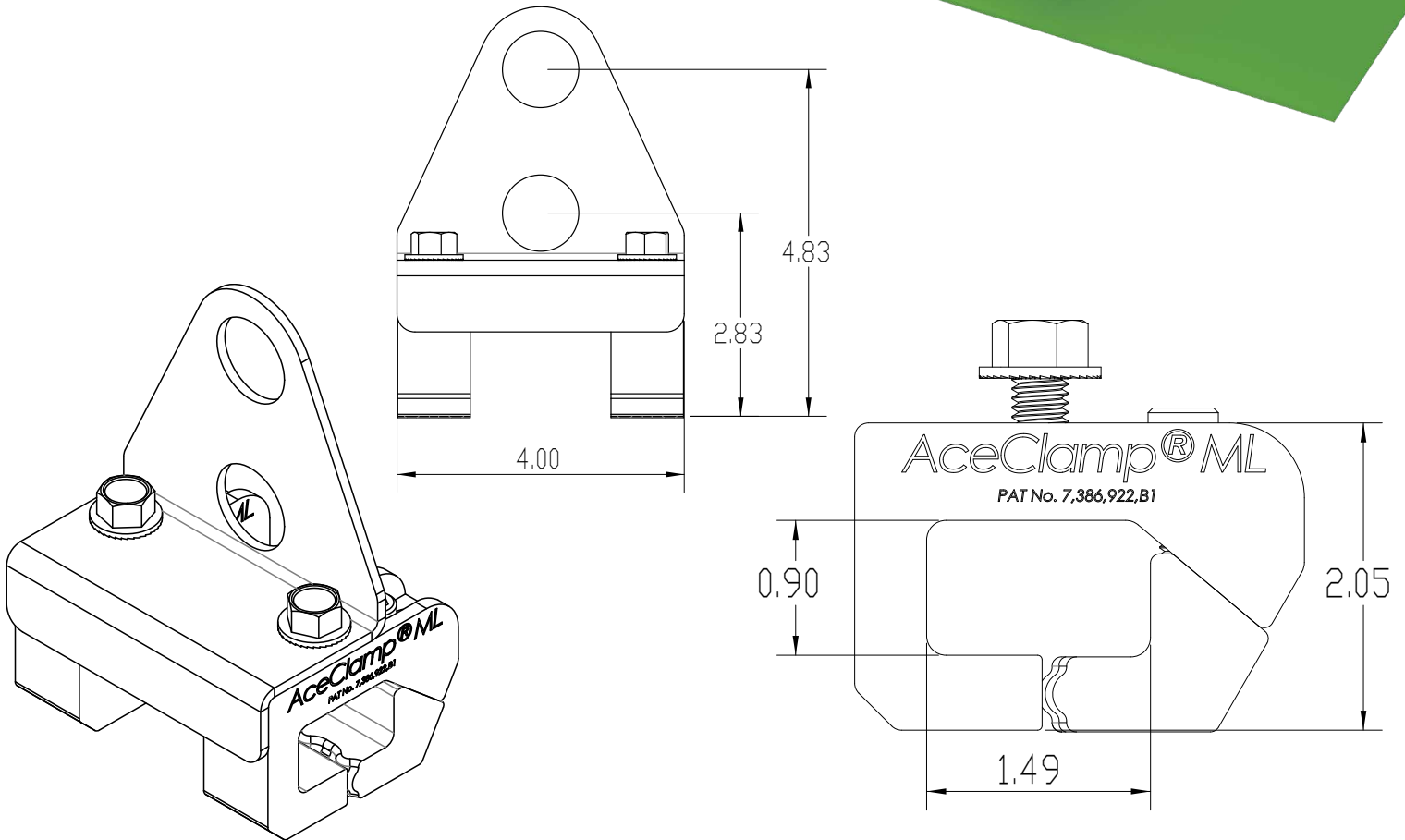
- Our 2 bar, 2 clamp system is designed for **light to moderate snow loads**
- Pre-assembled clamp allows for easy torque installation
- Includes (2) ML[®] clamps and a Z2 bracket



Designed for Architects

Manufactured for Contractors

Labor Savings for Installers



ACE
CLAMP[®]

a product of
PMC Industries Inc

87 Spring Lane | Plainville, CT 06062

860-351-0686



The PROOF Is On The ROOF[™]

*Photos shown are for representative purposes only. Actual product may vary. Design subject to change without notice. Additional panel profiles & torque specs: www.aceclamp.com

V110718