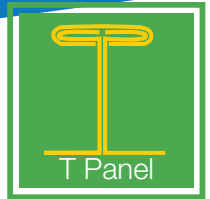


# Cut Sheet | 5031



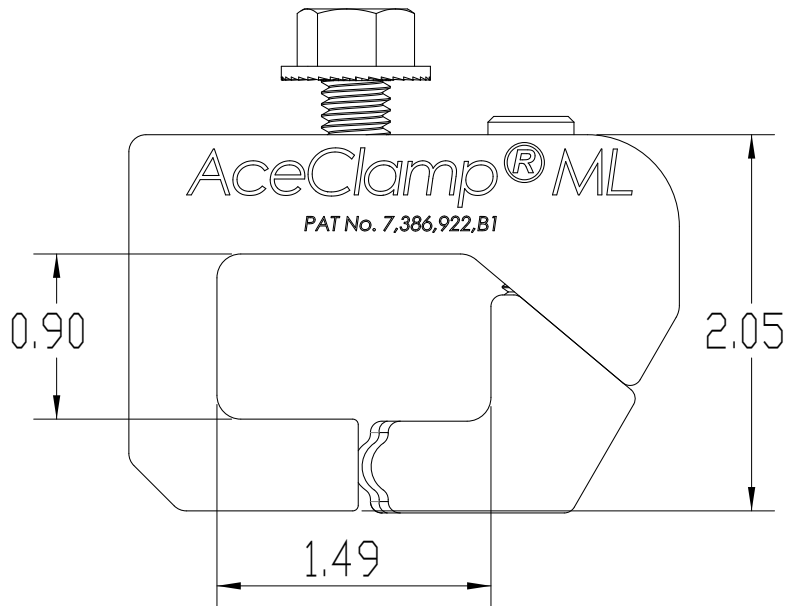
## ML® Clamp

- This product also has the ONLY top-securing fastener in the industry\*!
- Pre-assembled clamp allows for easy torque installation

*Designed for Architects*

*Manufactured for Contractors*

*Labor Savings for Installers*



**ACE**  
CLAMP®

a product of  
**PMC** Industries Inc

87 Spring Lane | Plainville, CT 06062

860-351-0686



The PROOF Is On The ROOF™

\*Photos shown are for representative purposes only. Actual product may vary. Design subject to change without notice. Additional panel profiles & torque specs: [www.aceclamp.com](http://www.aceclamp.com)

V110718