

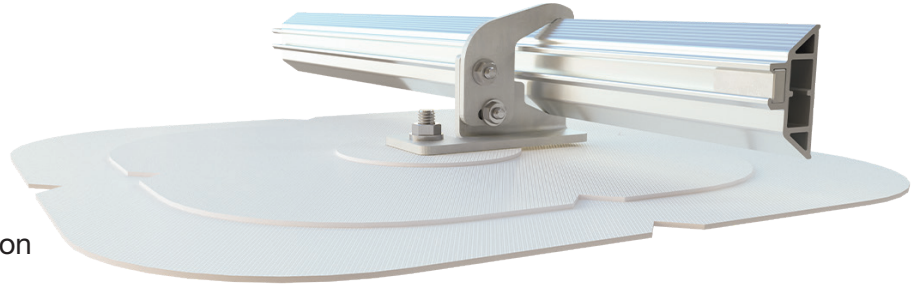
Cut Sheet | 5096-STMB



Snow Titan® Heavy Duty Membrane Snow Guard System

This system is designed to handle *extreme snow loads*

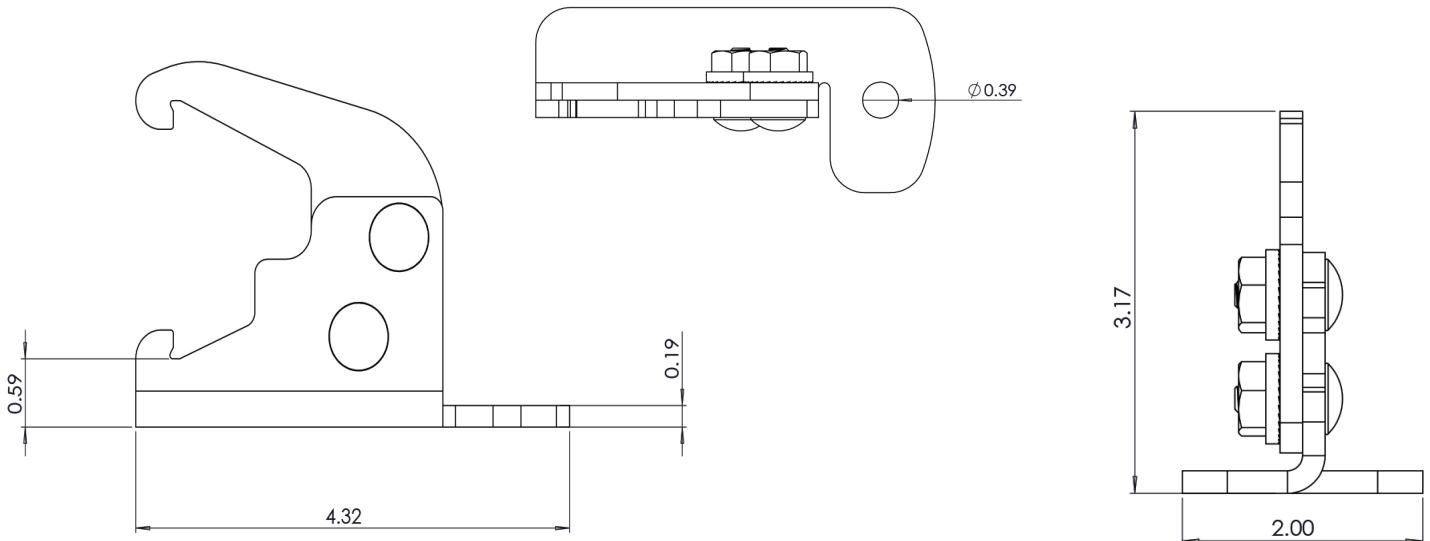
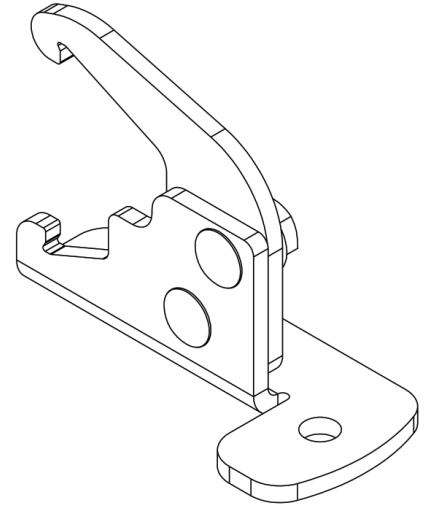
- No cuts, wood blocking, flashing or adhesives!
- Screw down bracket allows for easy installation
- Ice Clips snap into place for easy installation
- Includes (1) 5069-HD Bracket, 1 Rail and (1) MCP (Membrane Coated Plate). (Ice clips additional)
- Installs in half the time of competitive products*



Designed for Architects

Manufactured for Contractors

Labor Savings for Installers



ACE
CLAMP®
Innovative Roofing Solutions™

a product of
PMC Industries Inc

87 Spring Lane | Plainville, CT 06062
860-351-0686



*Based on typical contractor experiences. Photos shown are for representative purposes only. Actual product may vary. Design subject to change without notice. Additional panel profiles & torque specs: aceclamp.com. Always use proper safety equipment when working on a roof. Not responsible for typographical errors.

V111920