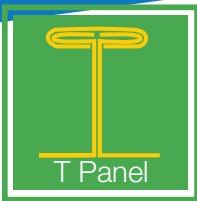
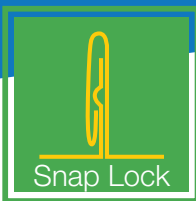
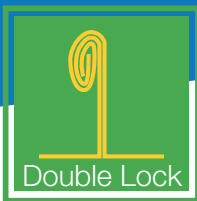
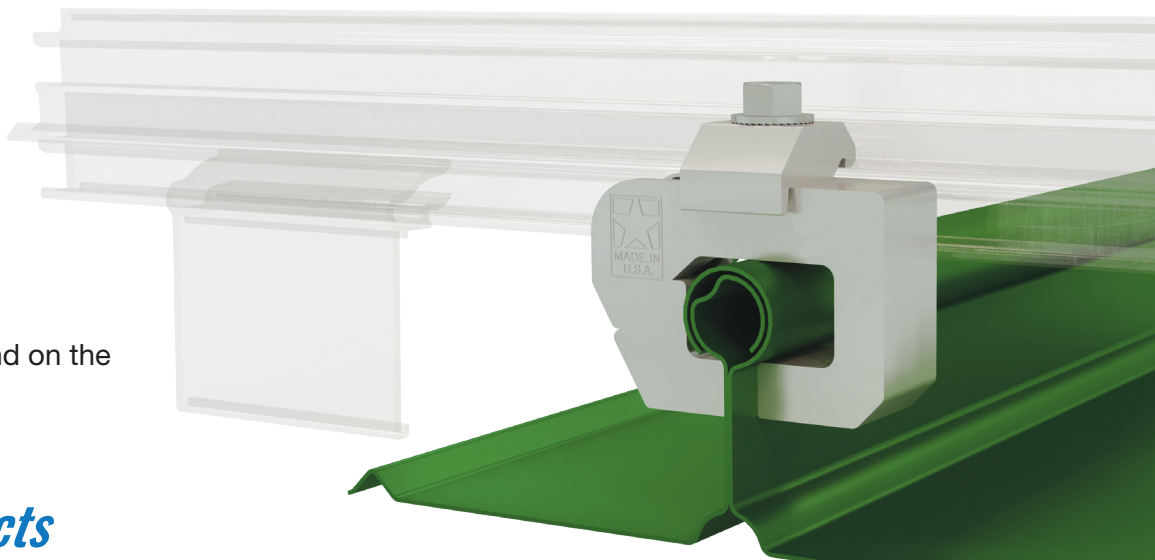


Cut Sheet 5096 ML



ML® Color Snap® Rail Assembly

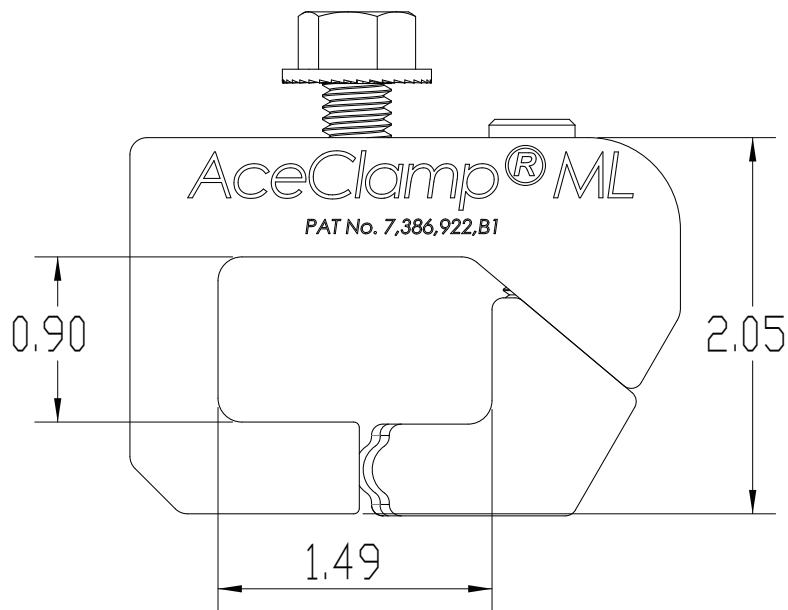
- Pre-assembled clamp allows for easy torque installation
- Non-penetrating sliding pin design does not damage the panel
- High wind-load resistance
- Installs in half the time of competitive products*
- Ice clip is the first of its kind on the market with a “snap-fit”



Designed for Architects

Manufactured for Contractors

Labor Savings for Installers



**ACE
CLAMP®**
Innovative Roofing Solutions™

a product of
PMG Industries Inc

87 Spring Lane | Plainville, CT 06062
860-351-0686



*Based on typical contractor experiences. Photos shown are for representative purposes only. Actual product may vary. Design subject to change without notice. Additional panel profiles & torque specs: aceclamp.com. Always use proper safety equipment when working on a roof. Not responsible for typographical errors.

V051320