



## A2® SSMR Clamp

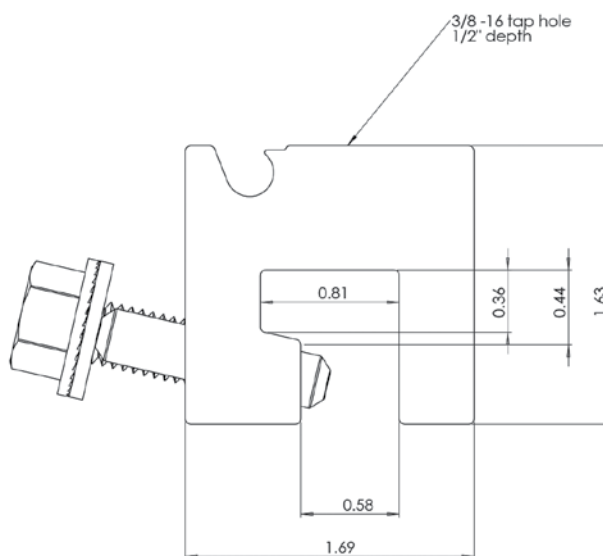
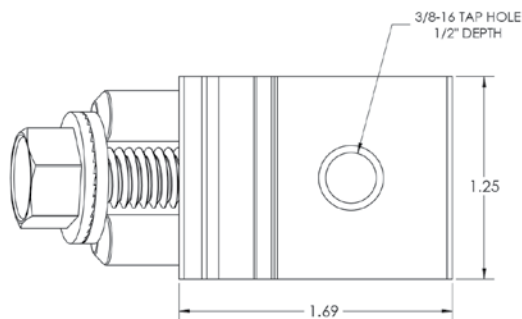
- Pre-assembled clamp allows for a quick and easy installation
- Non-penetrating sliding pin design does not damage the panel
- High wind-load resistance
- Available for one, two or three-hole brackets (2-6 inches in height)
- Engineered for snow retention systems on single, double or snap-lock SSMR
- Aircraft quality aluminum
- All stainless-steel hardware
- *Installs in half the time of competitive products\**



Shown: Part# 5056-A



## Specifications



### RECOMMENDED TORQUE SPECS

	22ga steel	Aluminum	Copper
<b>A2®</b>	195	165	n/a

The above is a general recommendation which varies by material type and panel thickness. For additional panel profiles and torque specs visit [www.AceClamp.com](http://www.AceClamp.com)



Free Samples and Ordering:

860-351-0686 / [www.AceClamp.com](http://www.AceClamp.com)

\*Based on typical contractor experiences. Photos shown are for representative purposes only. Actual product may vary. Design subject to change without notice. Additional panel profiles & torque specs: [aceclamp.com](http://aceclamp.com). Always use proper safety equipment when working on a roof. Do NOT use as a personal fall safety device.